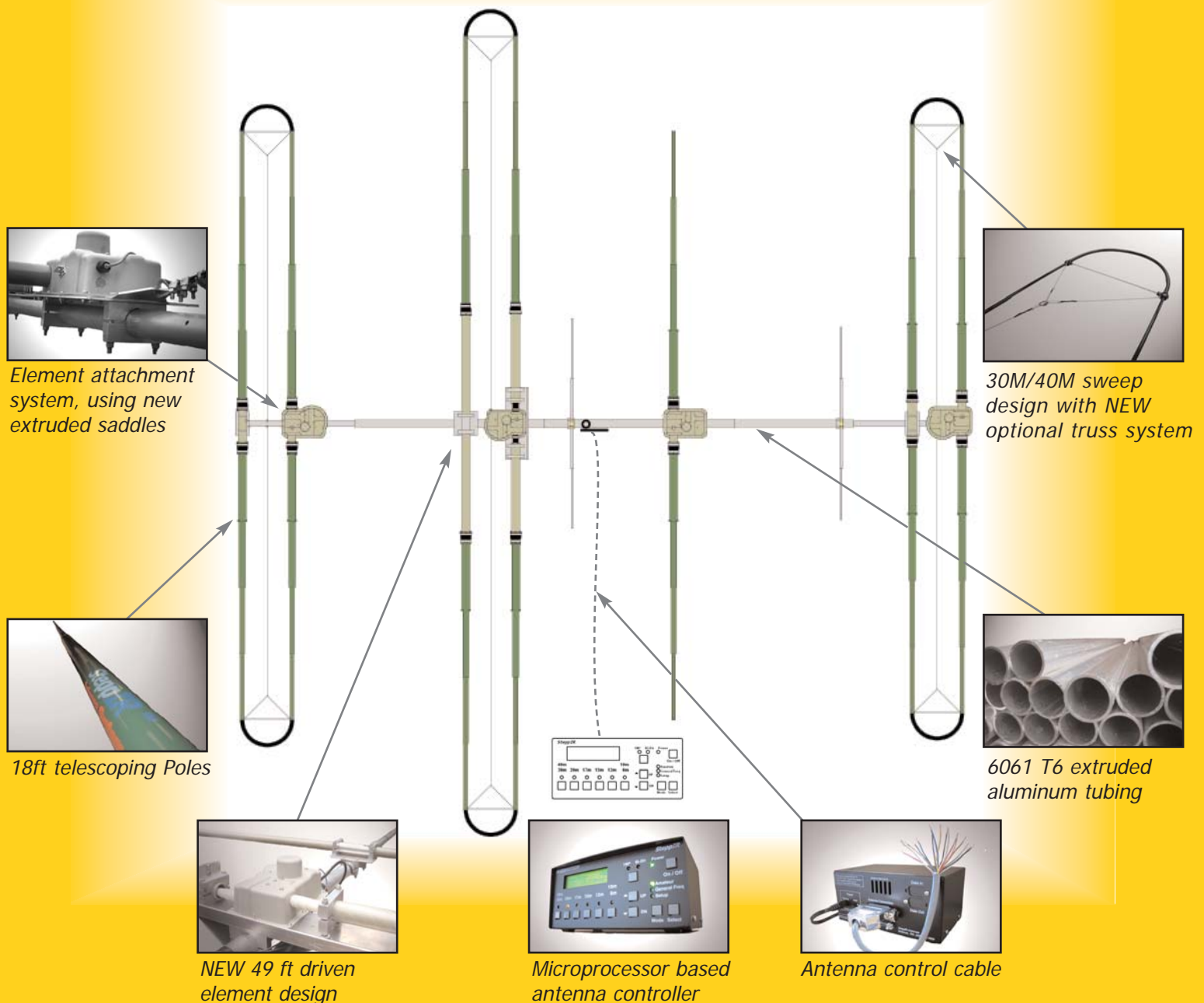


SteppIR™ Antennas

INTRODUCING THE DREAM BEAM 36



THE FIRST ANTENNA IN THE DREAM BEAM SERIES

The DB-36 YAGI

- NEW Innovative, patent pending design, is 60% of full size on 40M and 30M, but virtually equals the performance of an identical full sized Yagi.
- All DREAM BEAM antennas will have gain on 40M and 30M by using shortened elements that deliver performance that is only a few tenths of a dB below full size elements.
- 80M fully tunable dipole option is available. Automatically tunes the entire 3.5Mhz to 7 Mhz range with 1:1 SWR. Nearly equal in performance to a full sized dipole with no additional wind load.
- The Dream Beam series will offer antennas for both space limited Hams as well as the "Big Guns" who have the space and want the very best.

INTRODUCTORY PRICE \$4295.00

PRELIMINARY - all specifications are subject to change without notice

2112 116TH AVE NE SUITE 2-5, BELLEVUE WA, 98004 WWW.STEPPIR.COM TEL: (425)-453-1910 FAX: (425)-462-4415

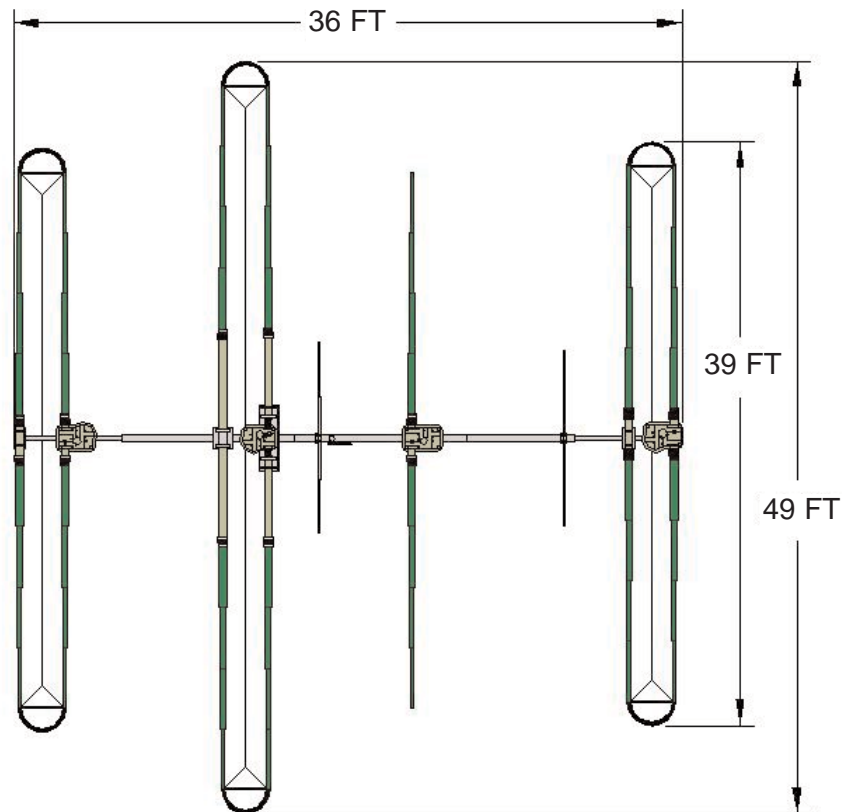
Introducing the first antenna in the Dream Beam (DB) series from SteppIR antennas. We revolutionized HF antenna design and now we are raising the bar. All DB antennas have gain on 30M and 40M without needing the real estate to handle full size elements. Our 30M/40M loop was designed to create a physically smaller antenna while maintaining the performance of a full size antenna. This technology is used to the fullest extent on every DB antenna.

We have also added some new options and features for the DB antenna series. For the DB 36 the 80M dipole option will give you a tunable dipole on 80M without adding any wind load to the antenna. Also the DB series will allow you to level your elements using our new clamping saddles that are extruded from 6061 T6 aluminum. These saddles can grip over 500 ft lbs per element which exceeds the worse case scenario of half the element falling off in a 100MPH wind. These clamps will hold anything Mother Nature can dish out.

With the DB series you can still get the same options as our original yagi antennas. Options include, 6M passive kit, transceiver interface, 33 volt power supply, "Y" cable, and Array Solutions surge suppressors.



SteppIR's Dream Beam 36 in the great Northwest.



Antenna Specs	Dream Beam 36
Weight	160 lb / 72.8 kg
Wind load	17.5 sq ft / 1.63 sq m
Longest element	48 ft / 15.1 m
Turning radius	26 ft / 8.0 m
Boom length	35' 10" ft / 11.1 m
Mast clamps (incl.)	2.0 in / 5.08 cm
Power rating	3 KW
Wind rating	100 mph EIA-222-C
Frequency coverage	**3.4 MHz – 54 MHz
Cable requirements	16 conductor 22 gauge shielded
Tuning rate	1.33 ft/sec - .4 m/sec

Performance		
Band	dBi Gain	F/R dB
80m	1.35	N/A
40m	7.2	21
30m	8.2	18
20m	9.27	21.5
17m	9.88	26.5
15m	10.21	27.1
12m	10.43	21.1
10m	10.65	11.0
6m	4.0*(12.75)	1.78(27.4)

- Sketch shown with optional 6m passive kit
- Gain and F/R measured in free space
- *with optional 6m passive element kit
- **with 80m - 40m optional dipole