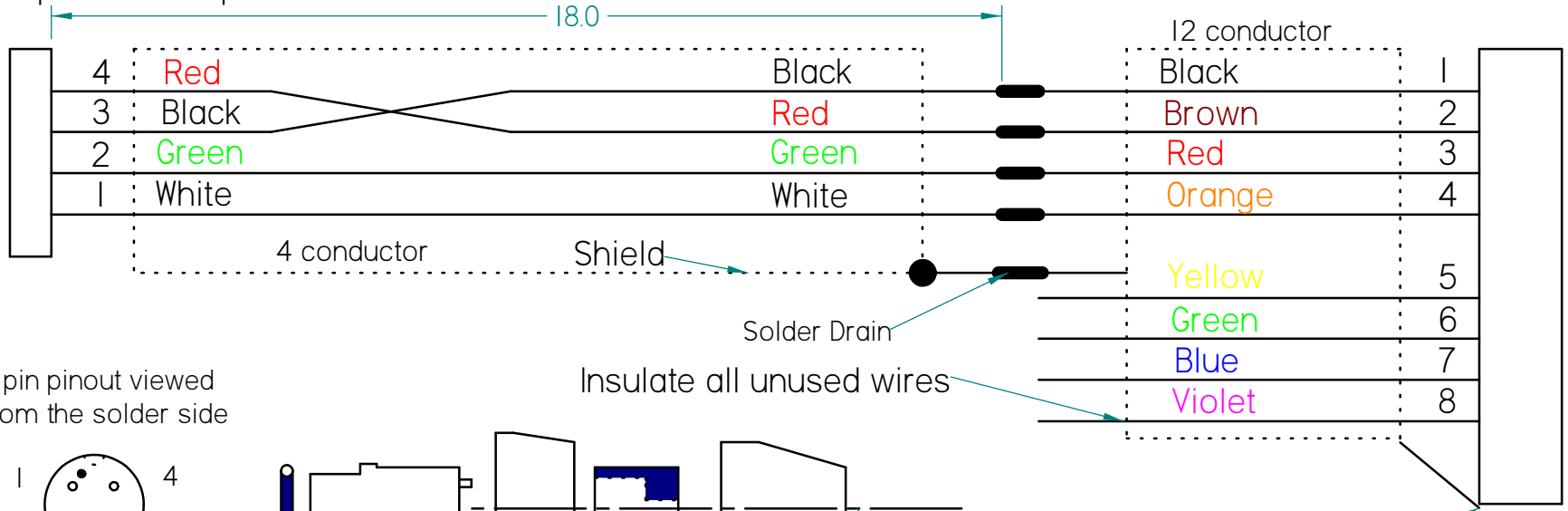
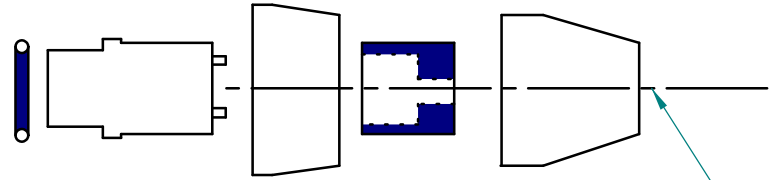
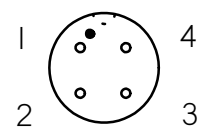


4 pin Weather proof



4 pin pinout viewed from the solder side



Solder Drain to Connector Case Male 25 Pin Dsub.

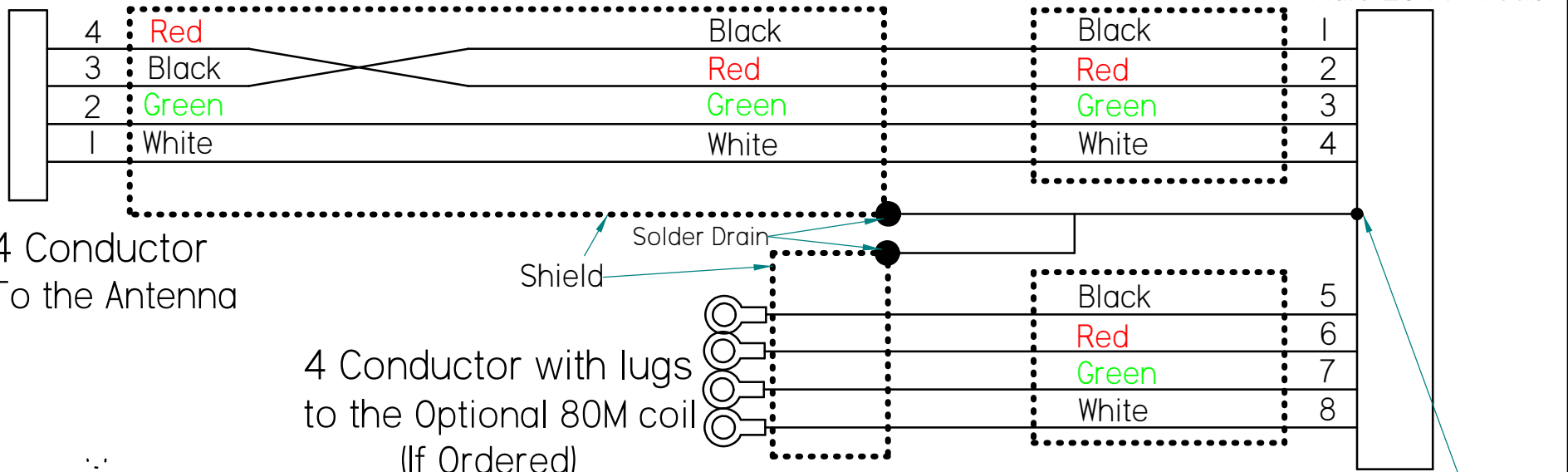
Materials:

1. 4 position Connector, Powell 6282-4PG-3DC
2. 18 inches of 4 conductor 22 AWG shielded control cable
3. 12 conductor 22 AWG shielded control cable
4. 25 pin D-sub connector
5. 25 pin D-sub back shell

Caution, a miswired cable can damage the Controller.

FLUIDMOTION INC.		
Cable, 12 conductor Control, 80M coil		
	21-6005-61	
		06/02/05

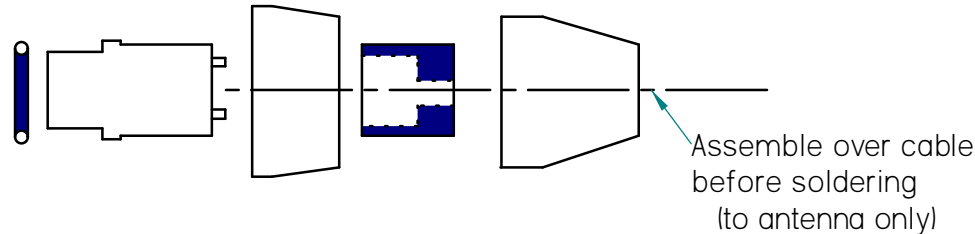
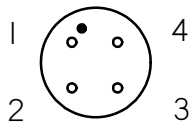
4 Pin Weather Proof Plug



4 Conductor
To the Antenna

4 Conductor with lugs
to the Optional 80M coil
(If Ordered)

4 pin pinout viewed
from the solder side



Solder Drain to
Connector Case

Caution, a miswired cable can damage the
Controller.

Materials:

1. 4 position Connector, Powell 6282-4PG-3DC
2. (2) 4 conductor 22 AWG shielded control cable
3. 25 pin D-sub connector
4. 25 pin D-sub back shell
5. 4 Lugs 14-16 AWG (medium)

SteppIR Antennas Inc.

Cable, 2x4 Conductor Control, 80M coil

21-6005-04

Rev: 00NEW

10/02/06